

SOFTERFIX™ LC Type Compression limiter for plastic materials

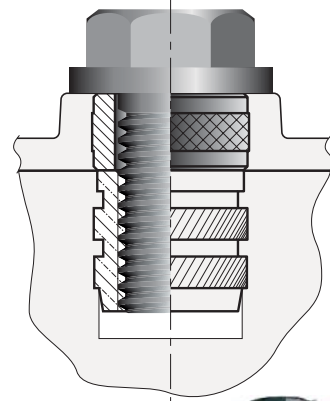
Maintain assembly
tension over time



Softerfix™ LC compression limiters are intended to maintain assembly tension over time on nut/bolt assemblies in plastic materials. It is the compression limiter which balances the clamping force, rather than the plastic workpiece - which, if subjected to the pressure applied by the fastener - will, in time, creep, resulting in a drop in the assembly constraints and loosening of the fastener.

■ Main advantages :

- Maintains assembly tension over time on nut/bolt assembly
- Balances the clamping force
- Push-out resistance > 300N
- 2 versions : overmoulded or press-in
- Automation potential
- Design providing optimum pull-out resistance in the workpiece
- No risk of plastic material flowing when overmoulding



■ Product range :

Steel, for screw from M4 to M10
Overmoulded or Press-in (also available in reinforced version) version
(specific version on demand)



FASTENING SOLUTIONS

LA CLUSIENNE CLUFIX - 313 rue Louis Armand
BP 220 - Z.I. des grands prés - 74304 Cluses Cedex

Tel : +33 (0)4 50 98 13 13
Fax : +33 (0)4 50 98 28 89
Email : commercial@clufix.com

www.laclusienne.com